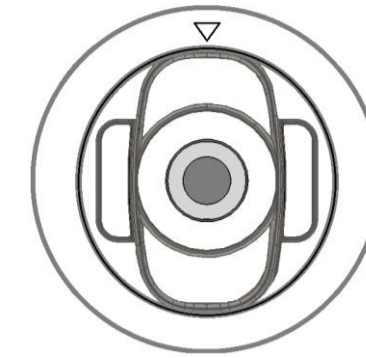


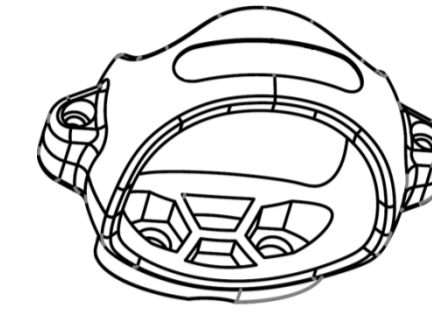
◆ MXN24C-078-TVI_CURL Camera



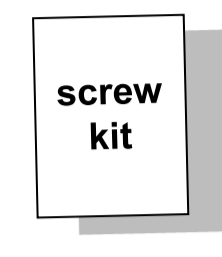
◆ Contents



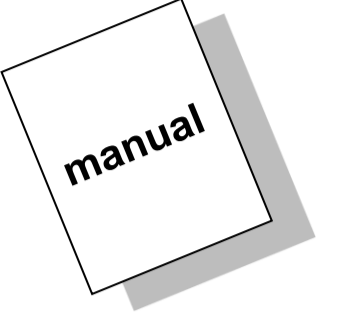
Camera x 1



Camera Bracket x 1



Screw kit x 1



Manual x 1

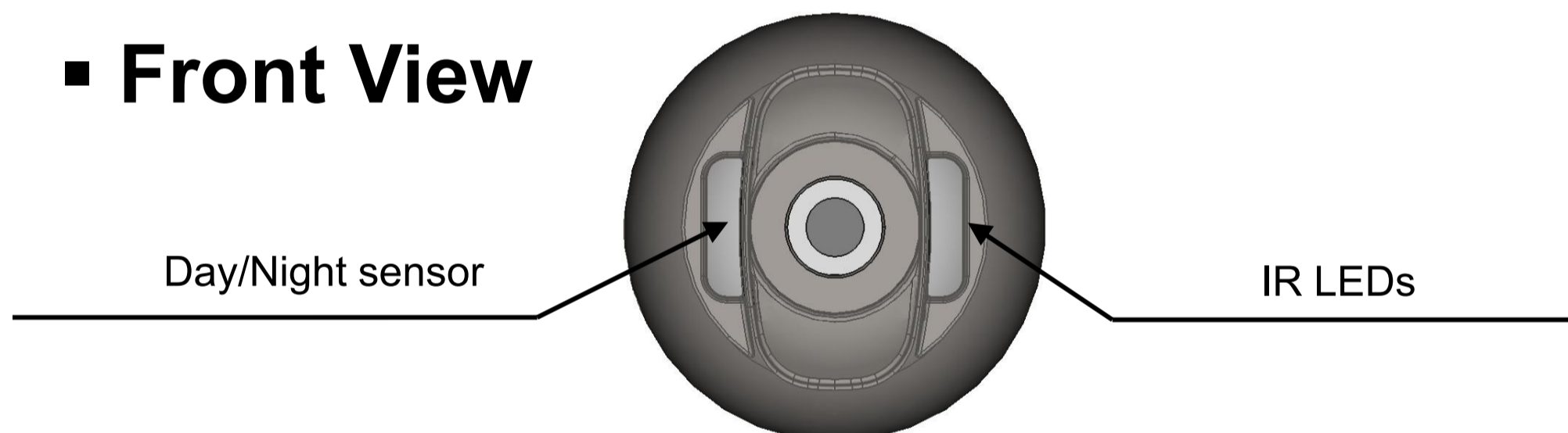
◆ Features

- Compact Ball Camera (HD-TVI)
- Best picture quality (in combination with Digital LCD monitor)
- 2.07 Mega pixels Full HD SONY CMOS Color camera
- 1/2.8" Color CMOS high resolution image sensor (STARVIS)
- 8Φ Spiral Urethane cable with waterproof connector (oil, fuel & heat resistant)
- IP69K Waterproof Rating
- Built-in IR LED's
- Diagonal 87° viewing
- IR LED ON/OFF function
- Built-in Microphone (for one-way audio)
- Multi purpose (Frontview, sideview, rearview, surveillance, etc)
- Built-in Automatic Heater (below +10°C)
- Anodized aluminium housing with anti-corrosive 3-fold coating
- Temp. -40°C ~ 80°C
- Vibration resistant (10G)
- UN ECE R10 approved (EMC)

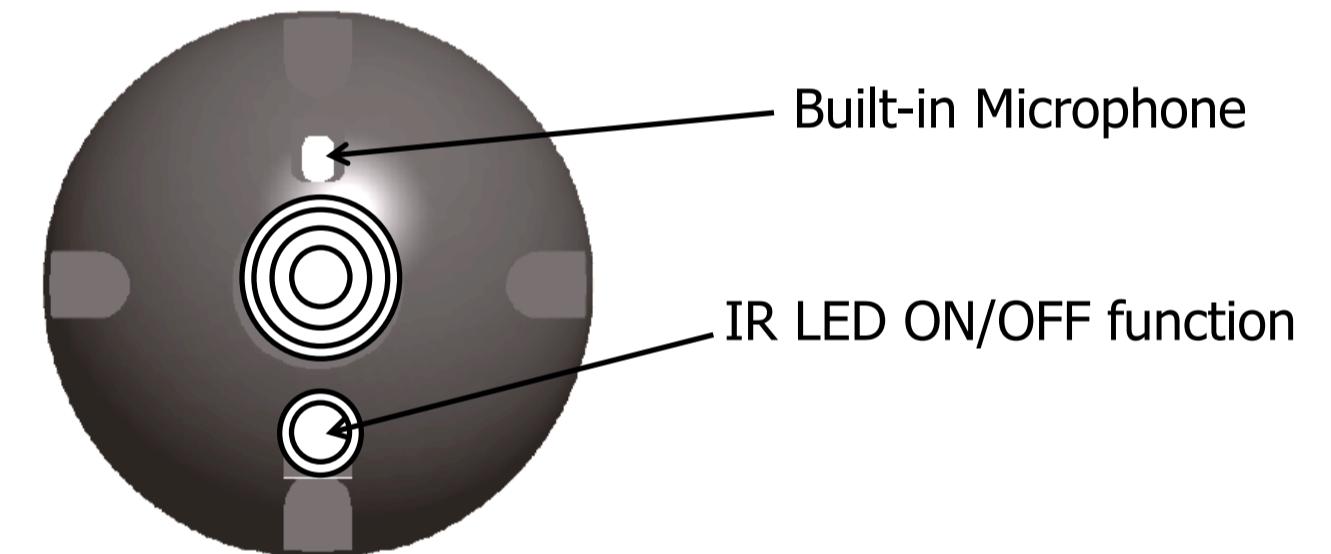
◆ Technical Specifications

Image Sensor	: 1/2.8" SONY CMOS Sensor (STARVIS)
Picture elements	: 2.07 Mega pixels 1920(H) X 1080(V)
Resolution	: 1080 TV lines
S/N ratio	: Minimum 45dB (at AGC off)
Minimum illumination	: 0 Lux (IR LEDs on)
Power range	: DC 9 ~ 48V
Power consumption	: DC 12V, 220mA (heater on) DC 12V, 165mA (heater off)
Operating temperature	: -40°C to +80°C
Viewing angle	: 87°(D) x 77°(H) x 42°(V)
Dimensions	: Ø52mm, 72(W) x 52(D) x 63(H) incl. bracket
Weight	: Approx. 487g
Supplied Accessories	: Camera Bracket (1) Stainless M6 x 25mm bolt + M6 nut (2 + 2) Stainless M3 x 12mm bolt + M3 nut (2 + 2) Stainless M4 x 16mm tapping screw (2) Rubber washer + stainless metal washer (2 + 2) Rubber O-Ring (2) Allen wrench 3mm (1)

▪ Front View

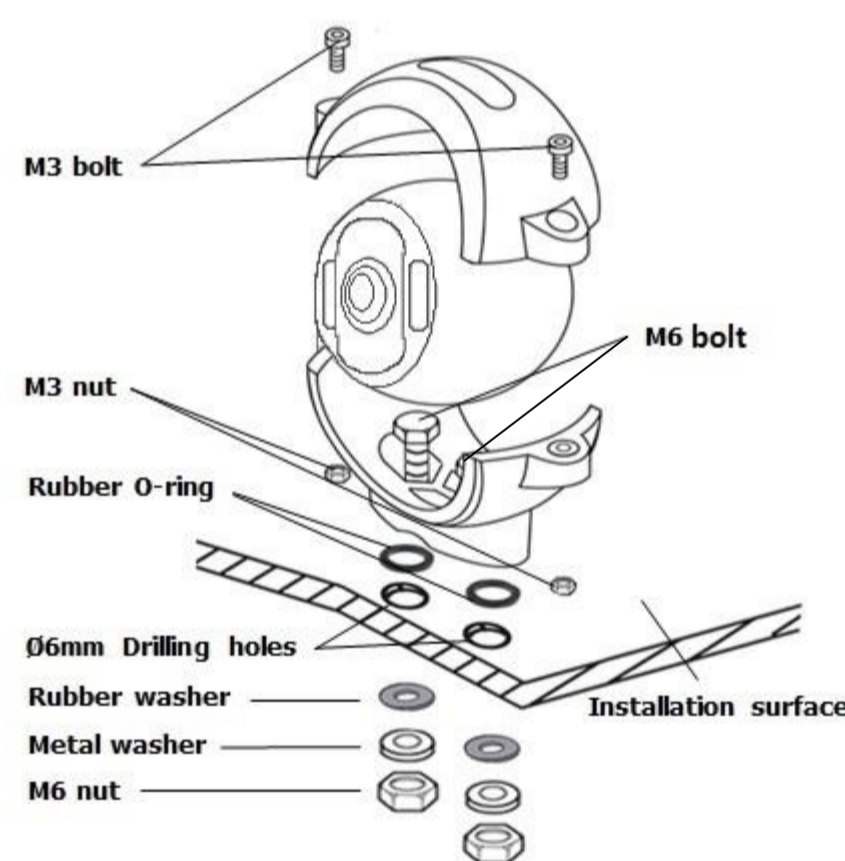


▪ Rear View



◆ Installation

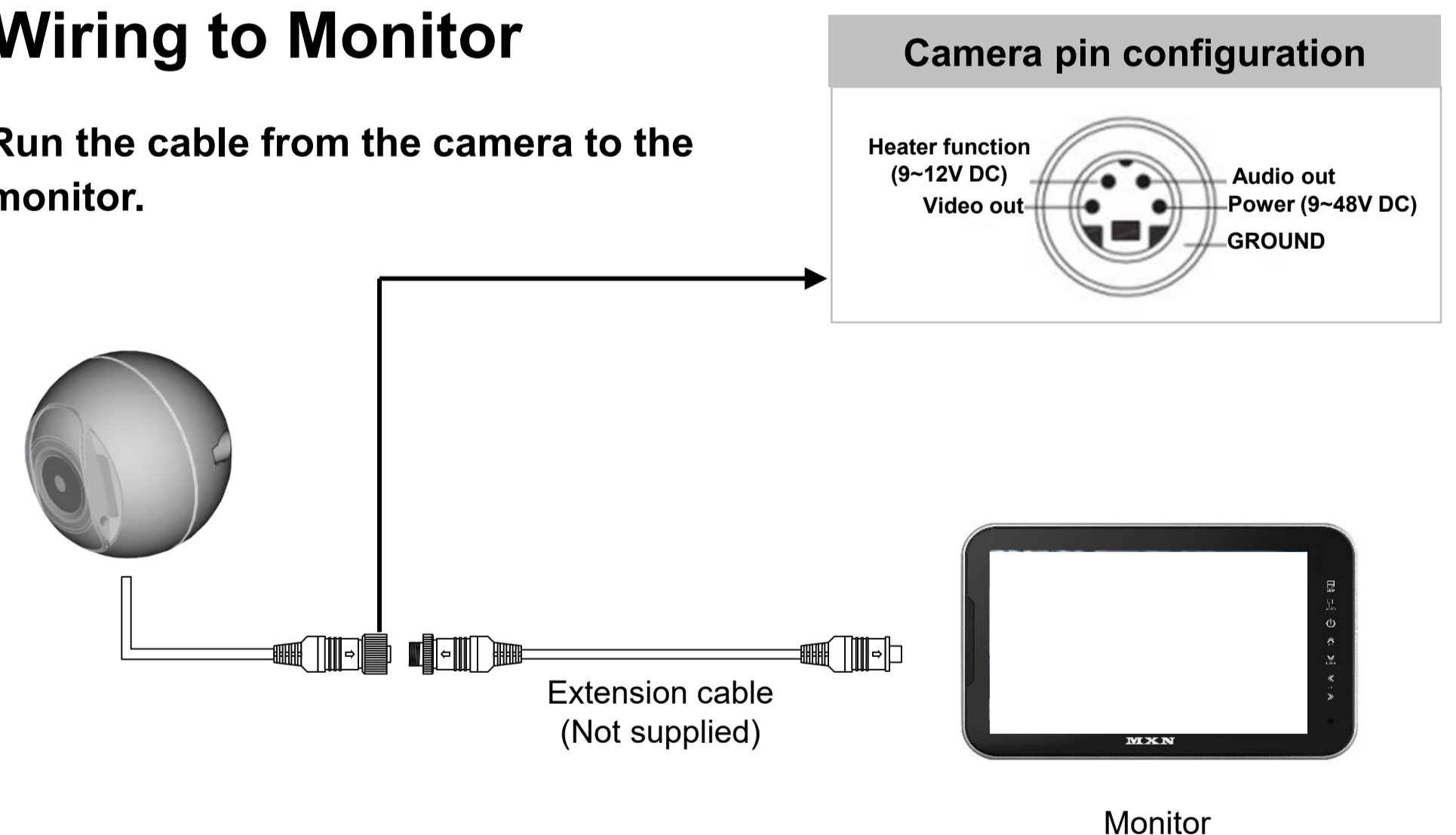
▪ Camera Assembly



1. Fix the supplied camera bracket to the vehicle.
2. Fix the bracket with camera according to drawing.
3. Adjust the viewing angle of the camera and fasten the screws firmly.

▪ Wiring to Monitor

Run the cable from the camera to the monitor.



▪ Securing cable connection

1. Match the arrow marks and press the connectors together.
2. Screw the camera connector up clockwise.



3. Tighten cable connection firmly in order to prevent water ingress.

Note!

The warranty will not be valid if the problem is related to moist / corrosion in the connector.

▪ Caution !!

1. Before making the connection, disconnect the ground terminal from the battery to avoid short circuits.
2. The plugs should be fully inserted into the connectors or jacks. A loose connection may cause malfunctioning of the unit.
3. A damaged cable may affect the operation of the camera and may even cause a malfunction of the camera or monitor: Avoid a damaged cable!
4. Protect the cable by using a guide tube, pipe or run the cable inside the vehicle as much as possible. Caution! Run the cable in natural shapes in order to prevent cable breaks.
5. Preferably use an acid free grease in between the waterproof screw type connectors and tighten them firmly each other.