

## Connector Pin Assignment

### Connector Pin Assignment Table

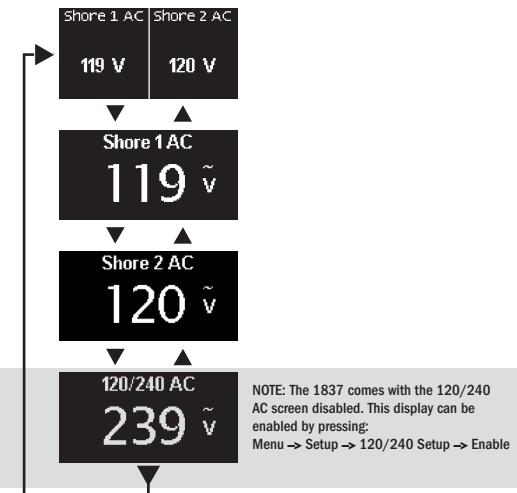
Connector	Function
1	AC Voltage 1 - HOT
2	AC Voltage 1 - NEUTRAL
3	AC Voltage 2 - NEUTRAL
4	AC Voltage 2 - HOT
1	DC Negative
2	DC Positive
3	Relay DC Out to Load
4	Relay DC +
5	No Connection
6	No Connection
7	No Connection
8	No Connection
USB	Micro USB Port

## M2 Meter Navigation

### Screen Menu Functions

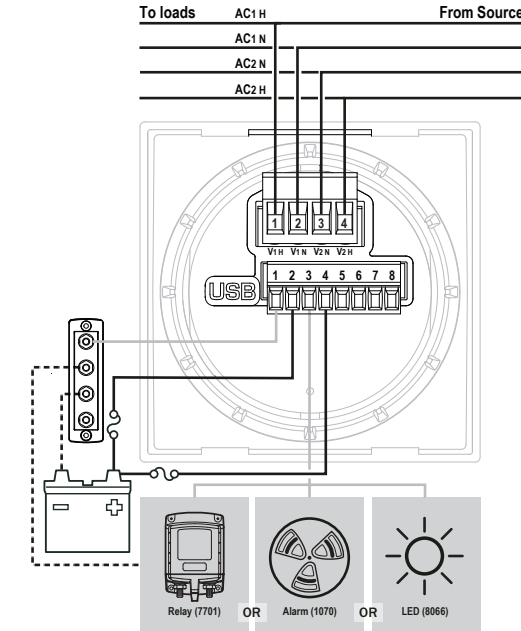
Press any button to bring up the menu.

- After start-up, press any button to access the menu.
- Press the UP or DOWN arrow buttons to scroll through menu windows.
- To set alarms and for more detailed information, go to [www.blueseas.com/M2](http://www.blueseas.com/M2)



## System Overview

### 1837 AC Voltmeter Connections



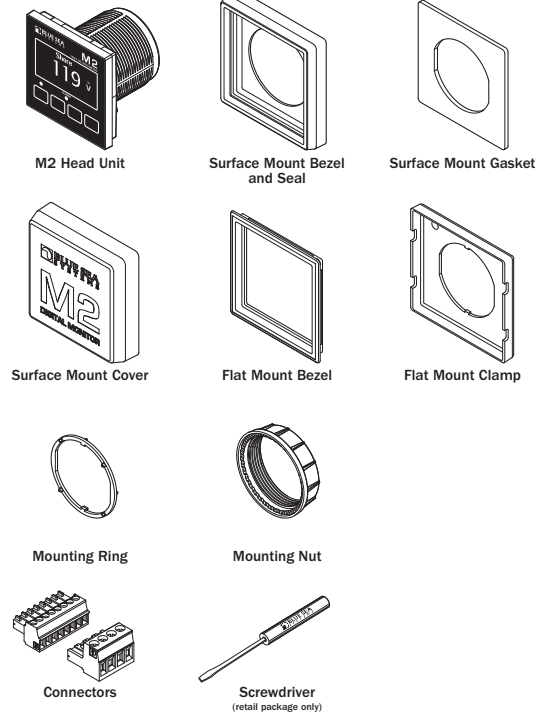
For other configurations go to [www.blueseas.com/M2](http://www.blueseas.com/M2)

# M2 OLED Digital Monitor

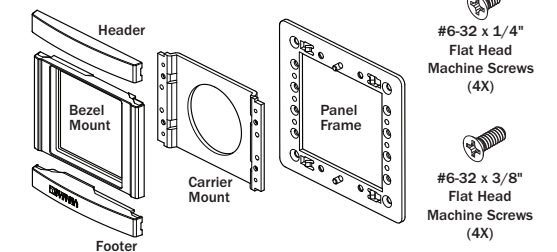
## QuickStart Installation Guide

### 1837 AC Voltmeter

#### Components Included



#### 360 Panel Mounting Kit PN 1525 sold separately



### ⚠ WARNING

The WARNING symbol refers to possible injury to the user or significant damage to the monitor if the user does not follow the procedures.

### ⚠ CAUTION

The CAUTION symbol refers to restrictions and rules with regard to preventing damage.

### ⚠ WARNING ⚠

- ✓ If you are not knowledgeable about electrical systems, have an electrical professional install this unit. The diagrams in these instructions pertain to the installation of the unit and not to the overall wiring of the vessel.
- ✓ If an inverter is installed on the vessel, its power leads must be disconnected at the battery before the unit is installed. Many inverters have a "sleep mode" in which their voltage potential may not be detectable with measuring equipment.
- ✓ If an AC generator is installed on the vessel, it must be stopped and rendered inoperable before the unit is installed.
- ✓ Verify that no other DC or AC sources are connected to the vessel's wiring before installing the unit.

### ⚠ CAUTION ⚠

- ✓ The back of the unit is not waterproof. Do not install where the back of the monitor is exposed to water.

## Warranty

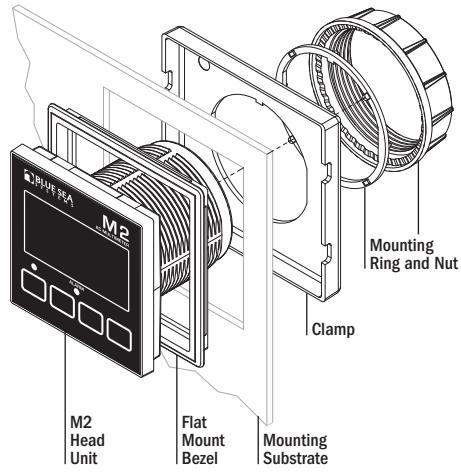
The M2 OLED Digital Meters come with a 5 year manufacturer's warranty. This means the meter is warranted to be free from defects in materials or workmanship for 5 years from the date of first purchase. The warranty is limited solely to the cost of repair or replacement of the M2 Meter product. Costs associated with labor or shipping of the defective parts are not covered. Blue Sea Systems cannot accept liability for damage due to the misuse of the M2 Meter.



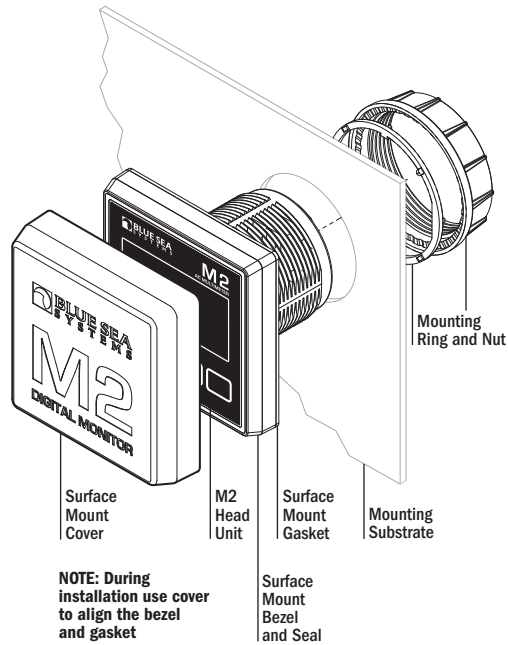
425 Sequoia Drive  
Bellingham, WA 98226 USA  
[www.blueseas.com](http://www.blueseas.com)  
p 360.738.8230  
[conductor@blueseas.com](mailto:conductor@blueseas.com)

# Mounting Options

## Flat Mount

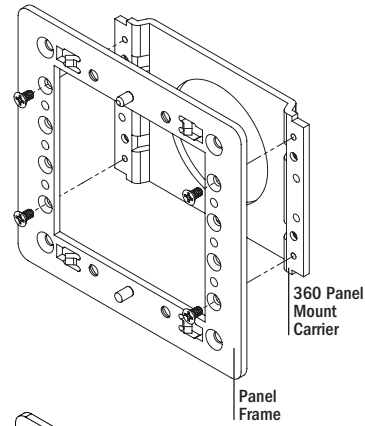


## Surface Mount

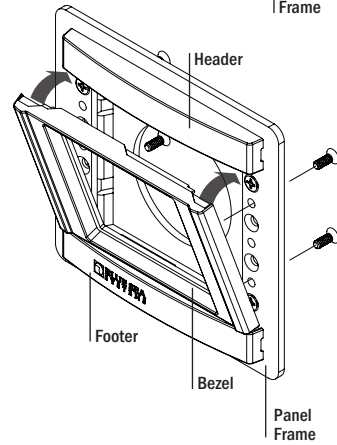


## 360 Panel Mount PN 1525 (If retrofit to existing panel)

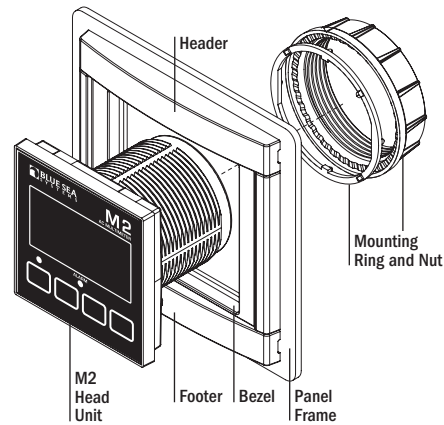
**STEP 1**  
Use 1/4" Mounting Screws



**STEP 2**  
Snap header and footer into mounting clips and post. Snap the mounting bezel into place with the flat edge up.



**STEP 3**



# Mounting Templates

