



VRM 9001

9" digital rear-view mirror monitor incl. camera



Features:

- Digital rear-view mirror monitor with full-surface image display
- Full-surface 9" display
- Display resolution: 1920x384 pixels
- Extremely bright display for perfect image presentation
- High-resolution 720p HDR camera for rear view (viewing angle: 70°H/38.6°V) incl. 8m camera cable
- 1x HD-TVI (720P/60FPS) input for the rear-view camera (included)
1x video input (cinch), can be controlled via trigger (e.g. for camera: left, right or reversing camera)
- Automatic brightness adjustment of the display
- Operation via buttons in the monitor housing
- Video system: NTSC
- Power supply: 10-16 Vdc
- Includes a universal mirror holder and a metal base plate for gluing to the windscreen, for vehicles without interior mirror.

- Other vehicle-specific holders to replace an existing original mirror are available separately. Please contact your AXION partner to determine the appropriate holder.

Technische Änderungen und Irrtümer vorbehalten.

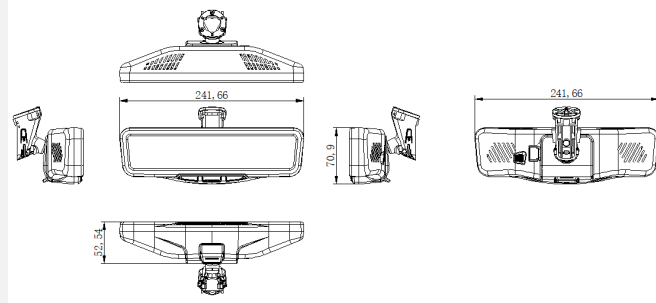
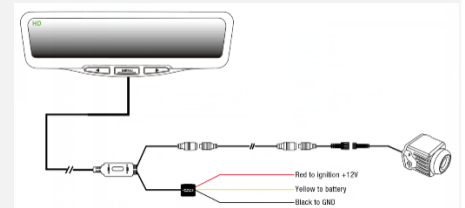


VRM 9001

9" digital rear-view mirror monitor incl. camera

Technical data:

- 9" TFT LCD monitor
- 1x HD-TVI input for rear view camera
- 1x reversing camera input with automatic activation (trigger switching cable)
- High brightness: 1200 ±300 lux
- Resolution: 1920(W)x384(H)
- Video system: NTSC
- Power supply: 10-16 Vdc
- Power consumption: 925mA (without camera)
- Operating temperature range: -20°C to +75°C
- Dimensions (LxHxD):



CAMERA:

- 1/3.8" CMOS image sensor
- 1.35 megapixel
- Dynamic range: 120 db
- Operating temperature range: -30° ~ +85°C
- IP68/IP69K
- Dimensions (LxHxD):

