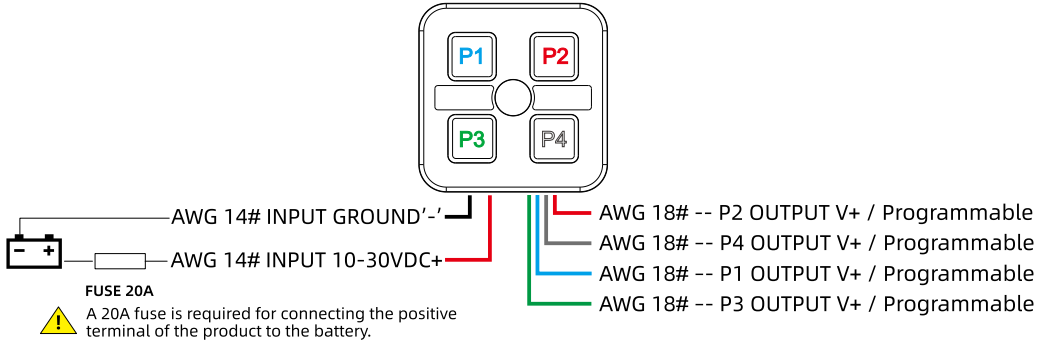


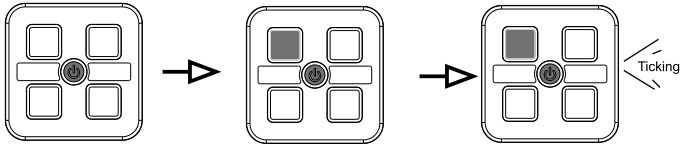
# 4 Way Waterproof MINI Controller

## 1. Wiring Instructions



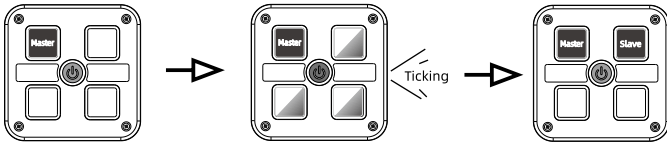
## 2. Latching/Momentary Setting

- To enter programming mode ensure that the controller is switched OFF.
- PRESS and HOLD the centre ON/OFF master switch button, whilst depressed, push the corresponding Switch that you would like to program from ON/OFF latching to Momentary activation which will be confirmed by an audible tone.
- Repeat this procedure to program each of the 4 available switches.



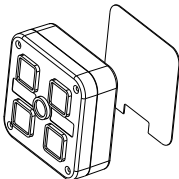
## 3. Master/Slave Setting

- Power on the controller, press and hold the button to be set as the master, keep it until a ticking sound. Then press the button to be set as the slave.
- Cancellation: Power on, press and hold the master button, keep it until a ticking sound, then press the slave button to cancel
- Remarks: After set successfully of Master/Slave button, the slave button can still be controlled independently.



## 4. Mounting

Sticker Mount



Bracket Mount

